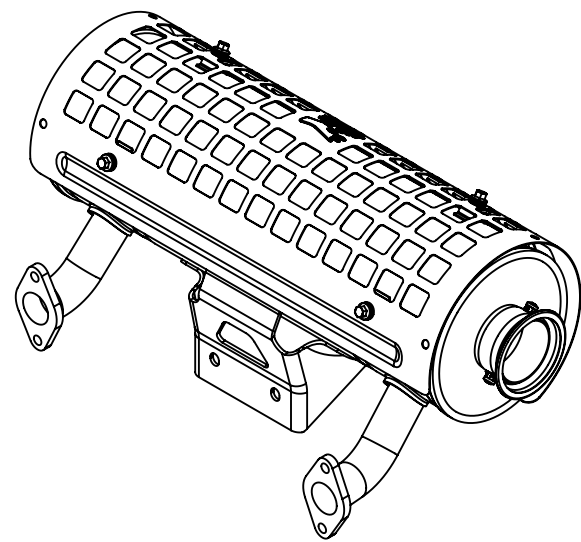
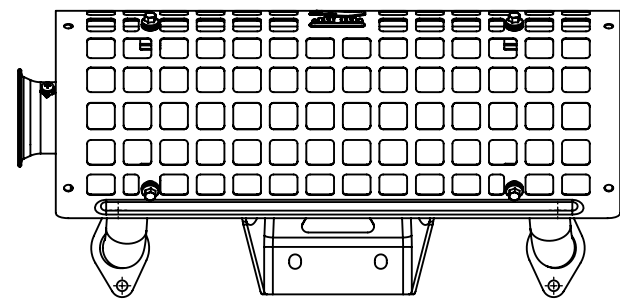
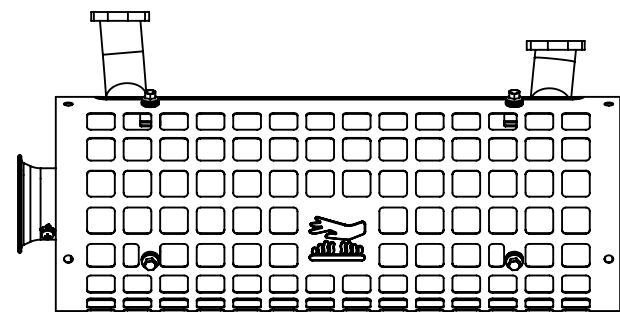
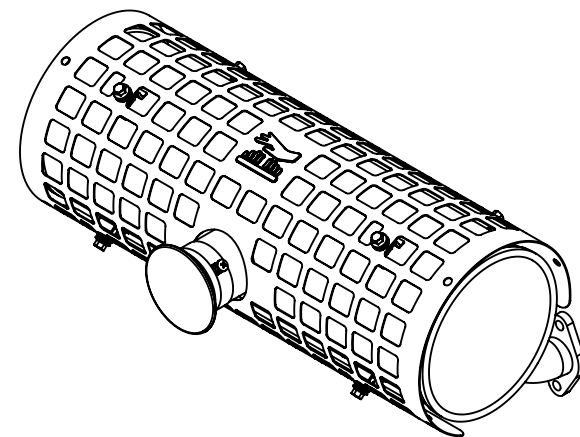
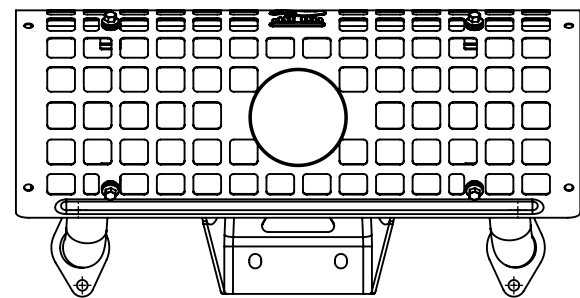
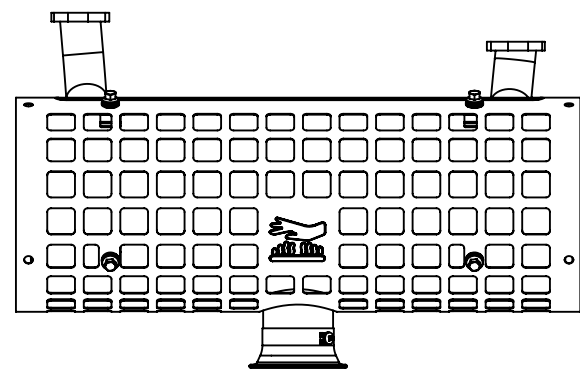


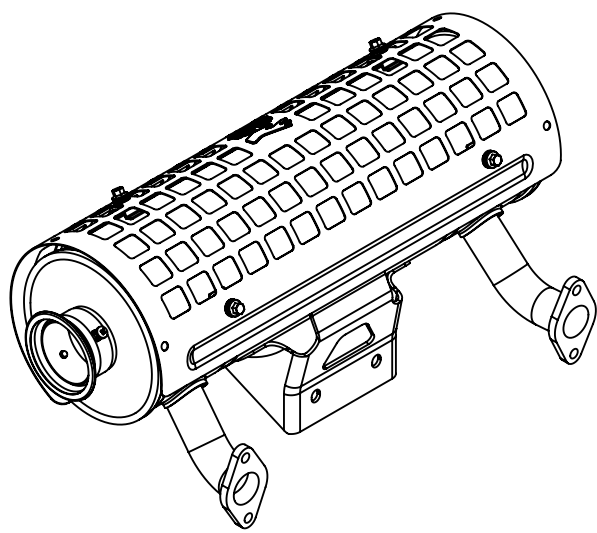
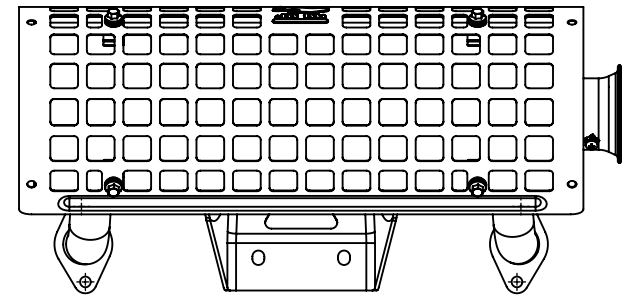
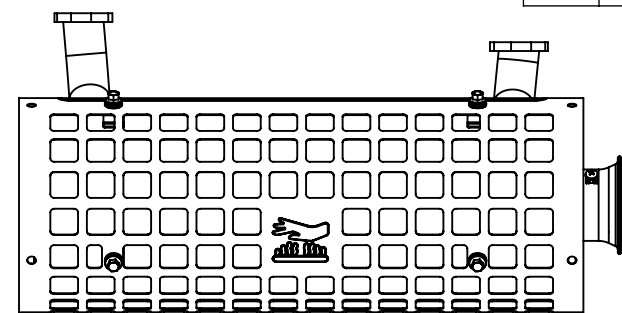
REV		DESCRIPTION	ECN#	BY	CHECK	APPROVE	DATE
A		INITIAL DRAWING RELEASE					



**80505**  
LOW MOUNT STARTER SIDE OUTLET

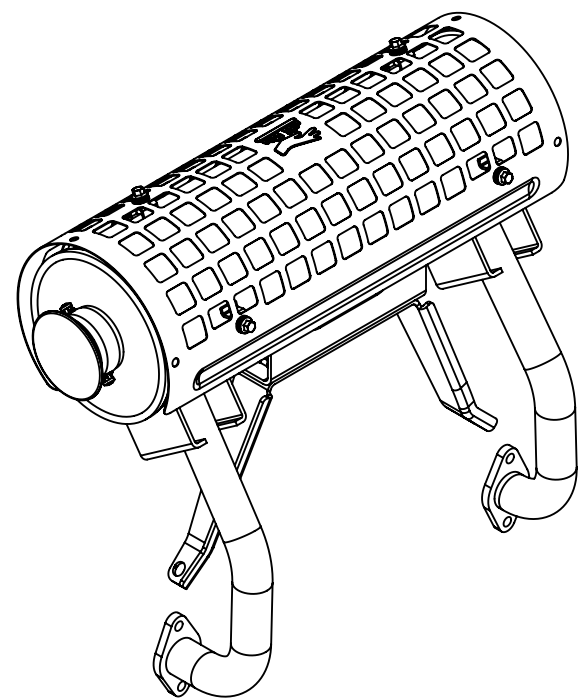
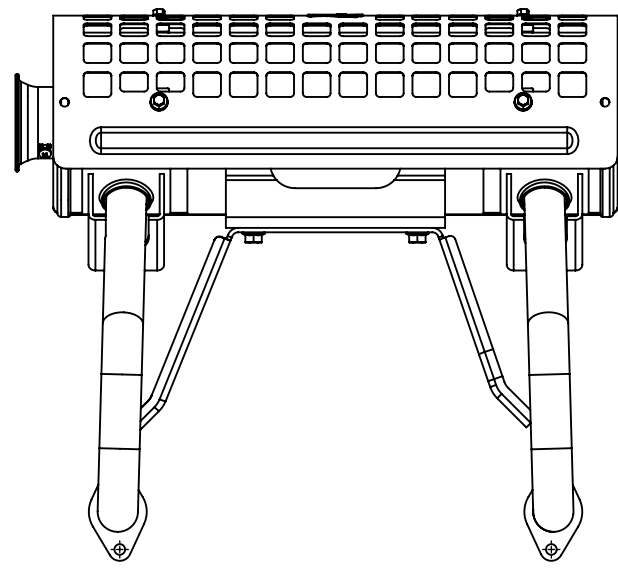
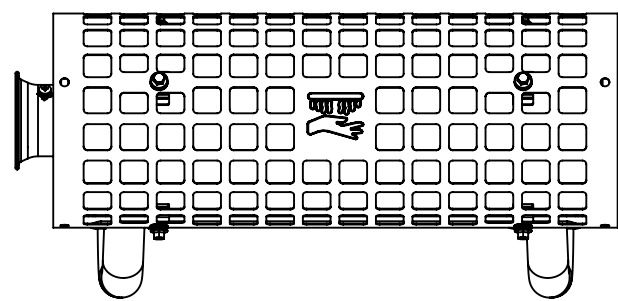
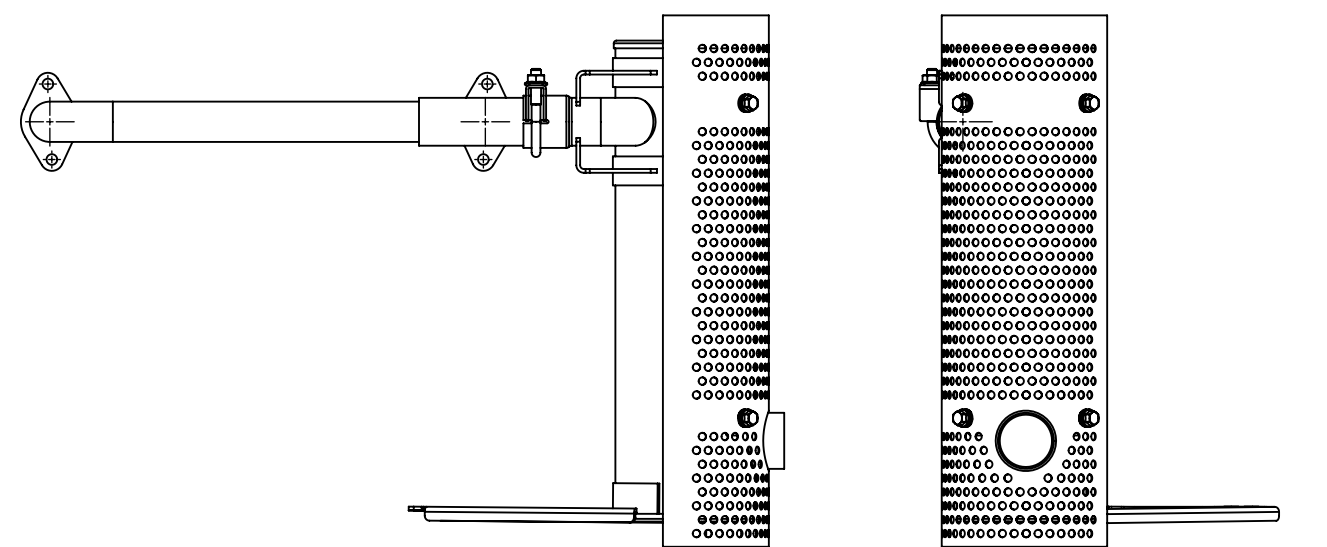
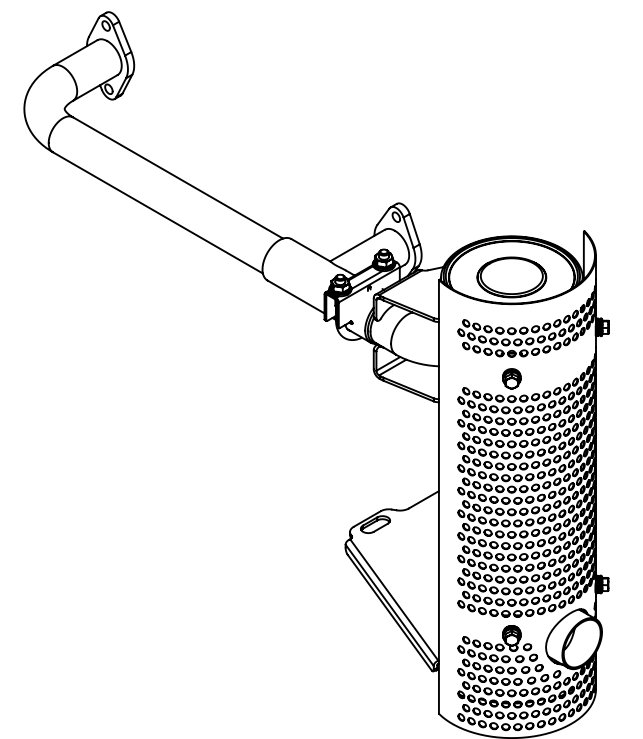


**80506**  
LOW MOUNT CENTER OUTLET

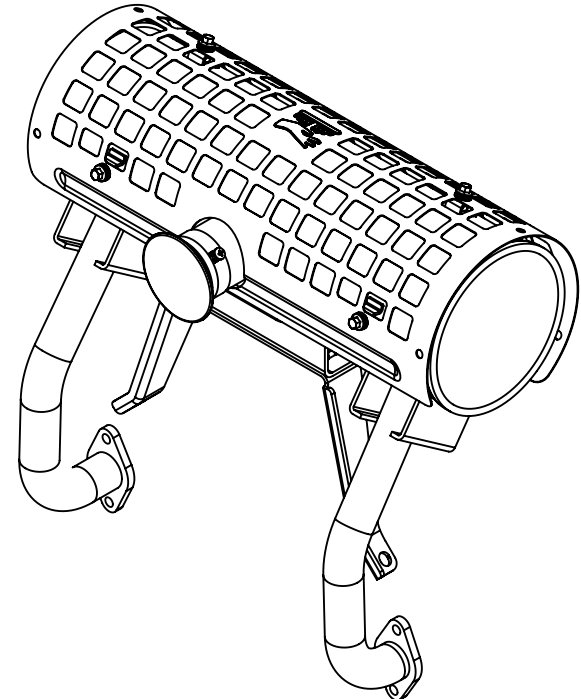
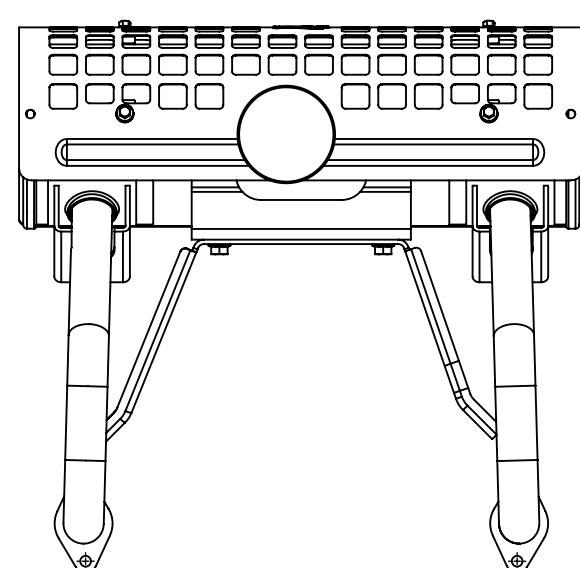
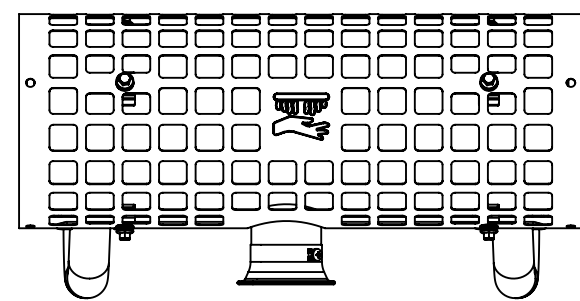


**80507**  
LOW MOUNT OIL FILTER SIDE OUTLET

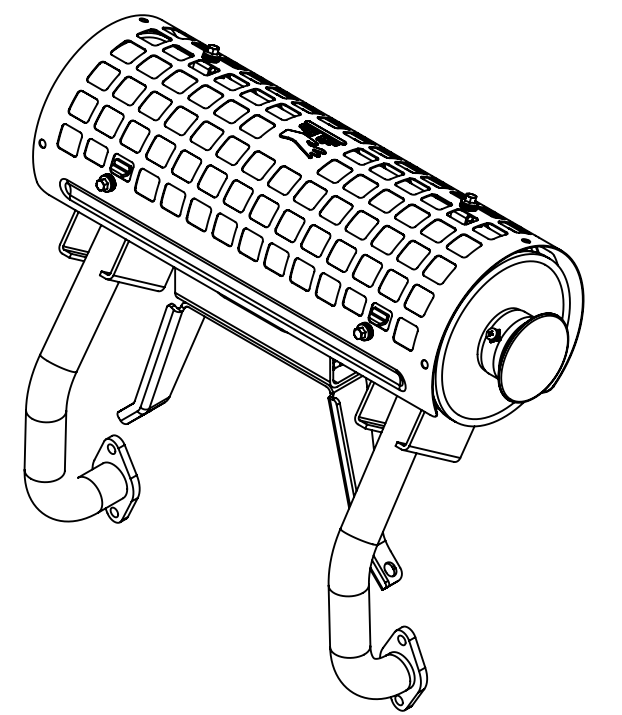
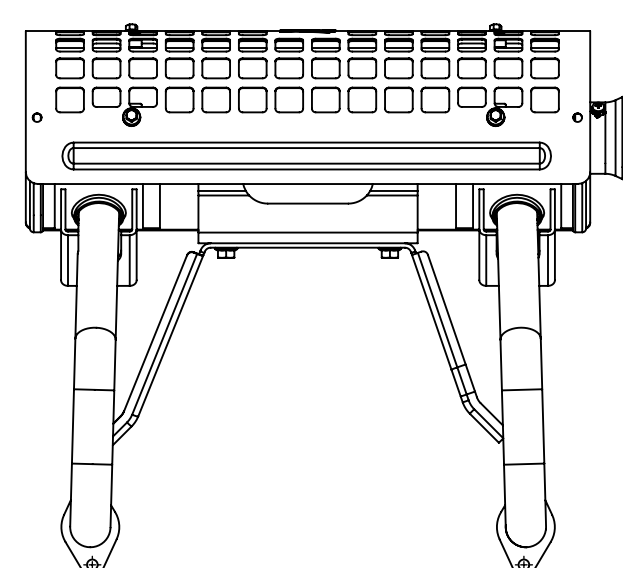
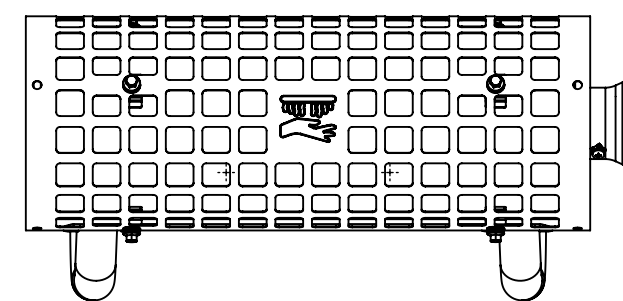
**80511**  
SIDE MOUNT  
OIL FILTER SIDE OUTLET



**80508**  
HIGH MOUNT  
STARTER SIDE OUTLET



**80509**  
HIGH MOUNT  
CENTER OUTLET



**80510**  
HIGH MOUNT  
OIL FILTER SIDE OUTLET

NOTE:  
1. ALL GASKETS AND REQUIRED HARDWARE INCLUDED WITH EACH MUFFLER CONFIGURATION

THIRD ANGLE PROJECTION

UNLESS OTHERWISE SPECIFIED:  
DIMENSIONS ARE IN MM TOLERANCES:  
.X ± 2.5  
.X ± 0.76  
.XX ± 0.25

ANGULAR: ± 1° BEND: ± 1°

ALL MACHINED SURFACES: 3.2

INTERPRET GEOMETRIC TOLERANCING PER LATEST: ASME Y14.5M

DO NOT SCALE DRAWING

**FNA-GROUP**  
7152 99th Street,  
Pleasant Prairie, WI 53158

**PROPRIETARY AND CONFIDENTIAL**  
THE INFORMATION CONTAINED IN THIS DRAWING IS THE SOLE PROPERTY OF FNA-GROUP. ANY REPRODUCTION IN PART OR AS A WHOLE WITHOUT THE WRITTEN PERMISSION OF FNA-GROUP IS PROHIBITED.

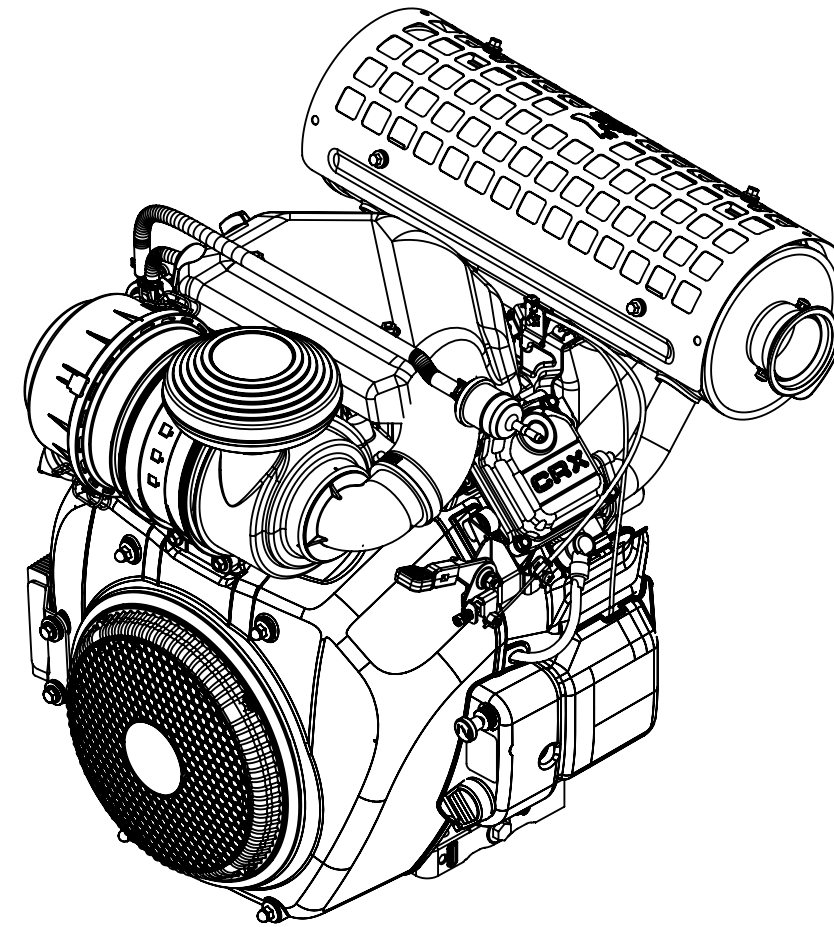
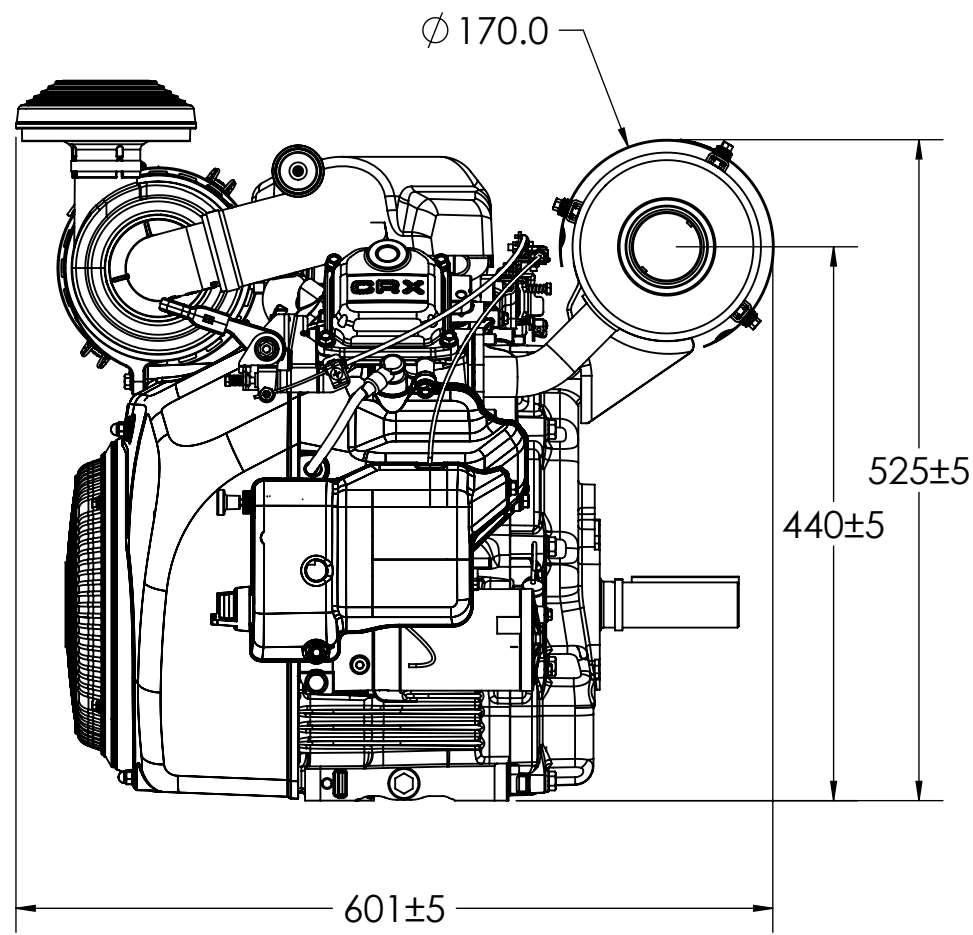
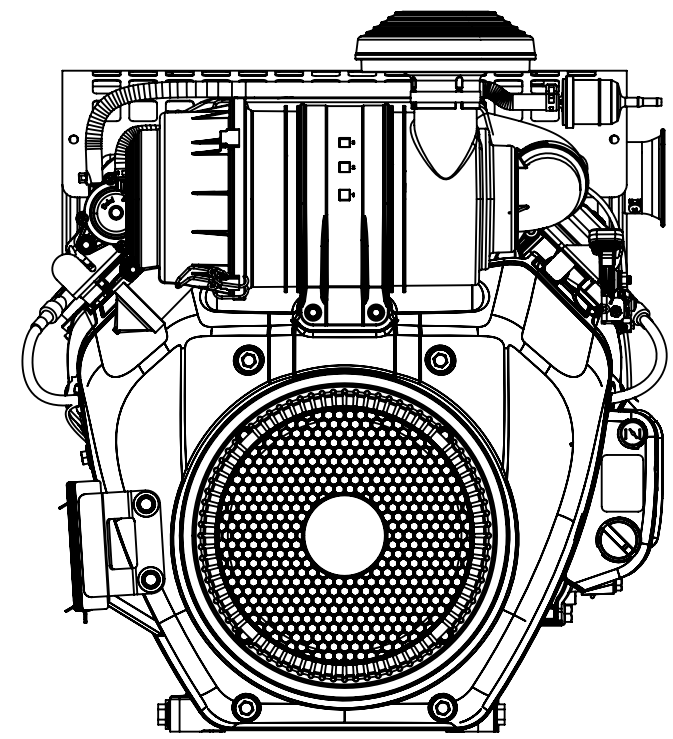
WEIGHT  
MATERIAL: MULTIPLE

DESCRIPTION:  
**CRX1000 MUFFLER  
OPTIONS**

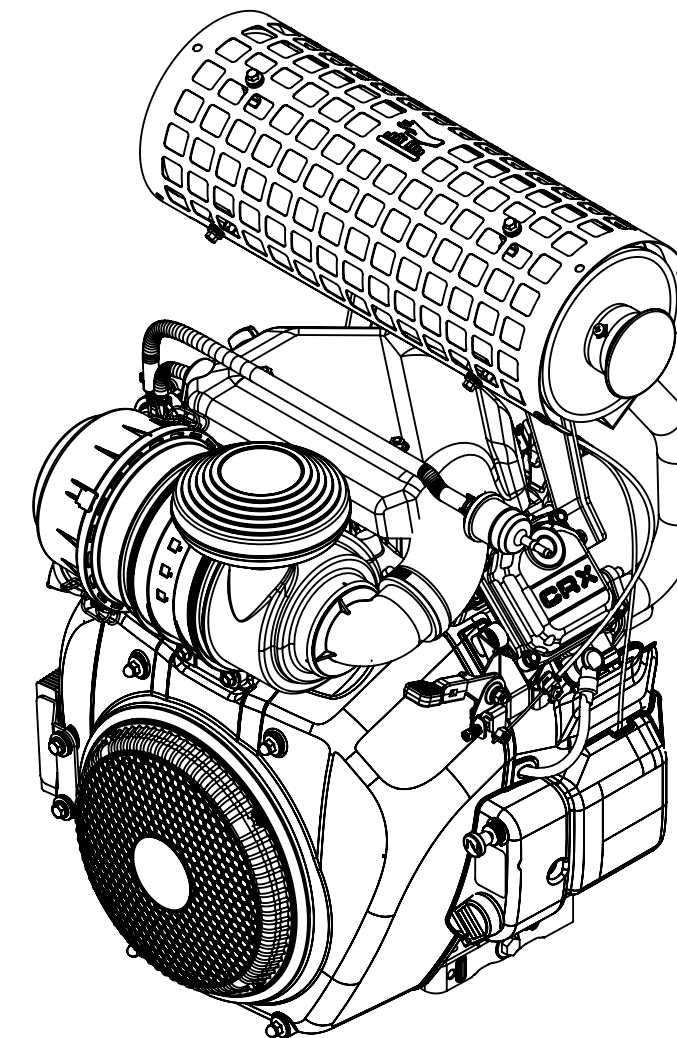
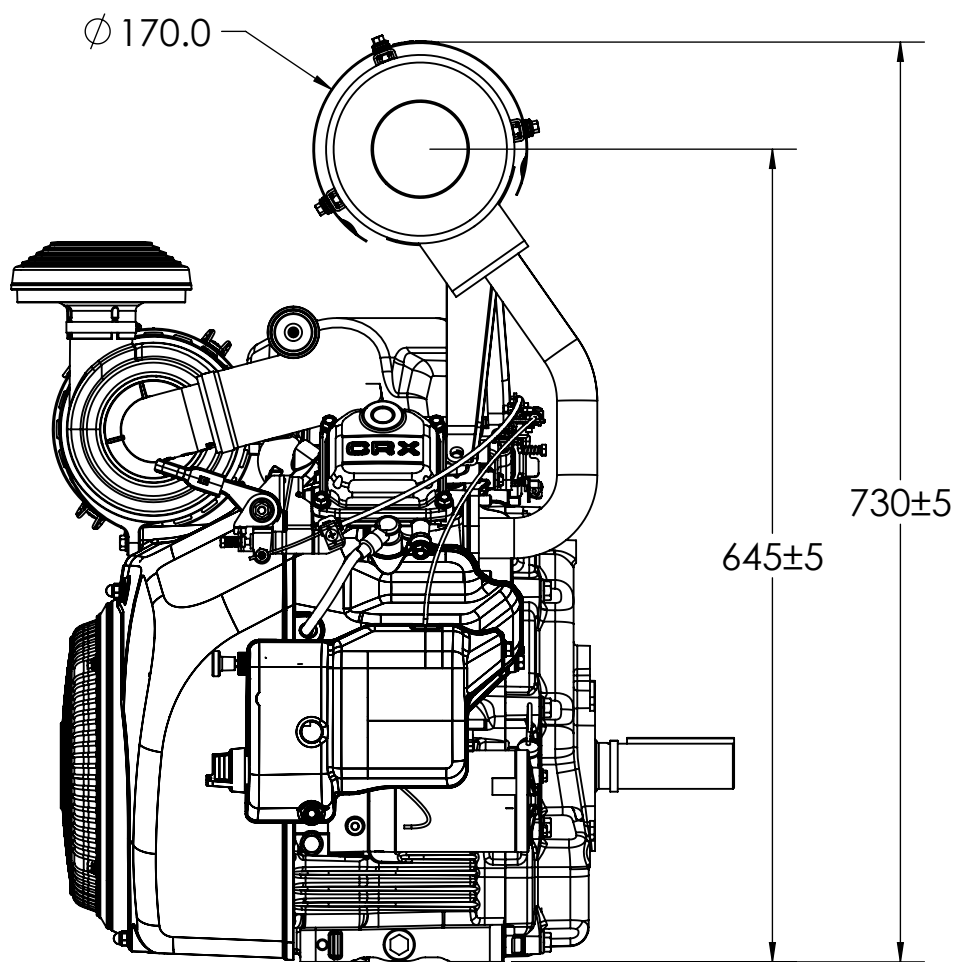
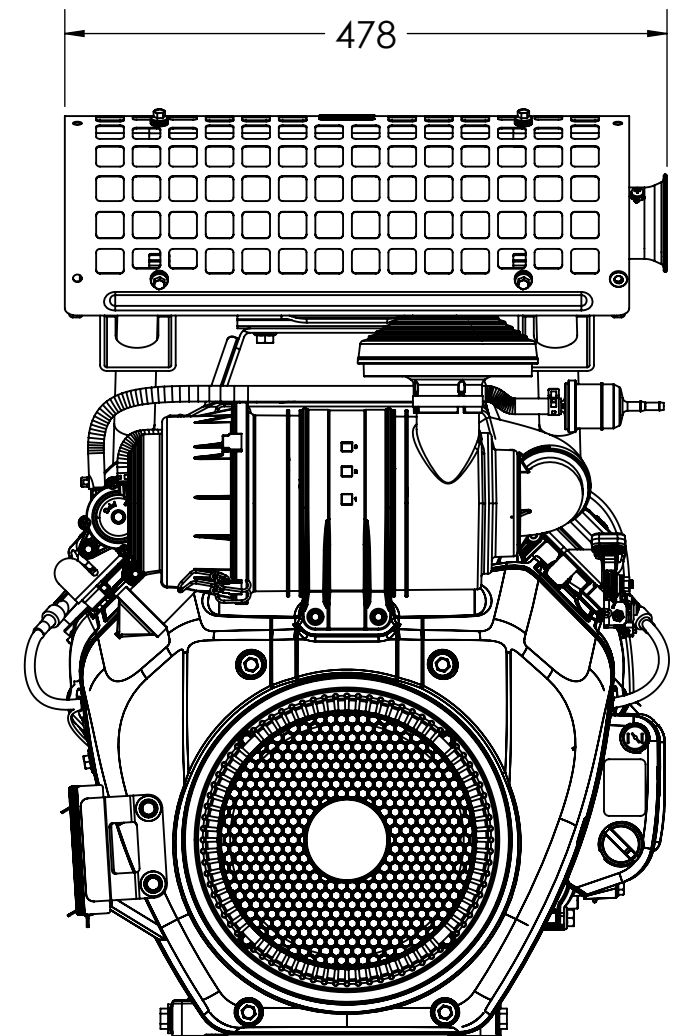
**BREAK ALL SHARP EDGES AND REMOVE BURRS**

DWG. NO.

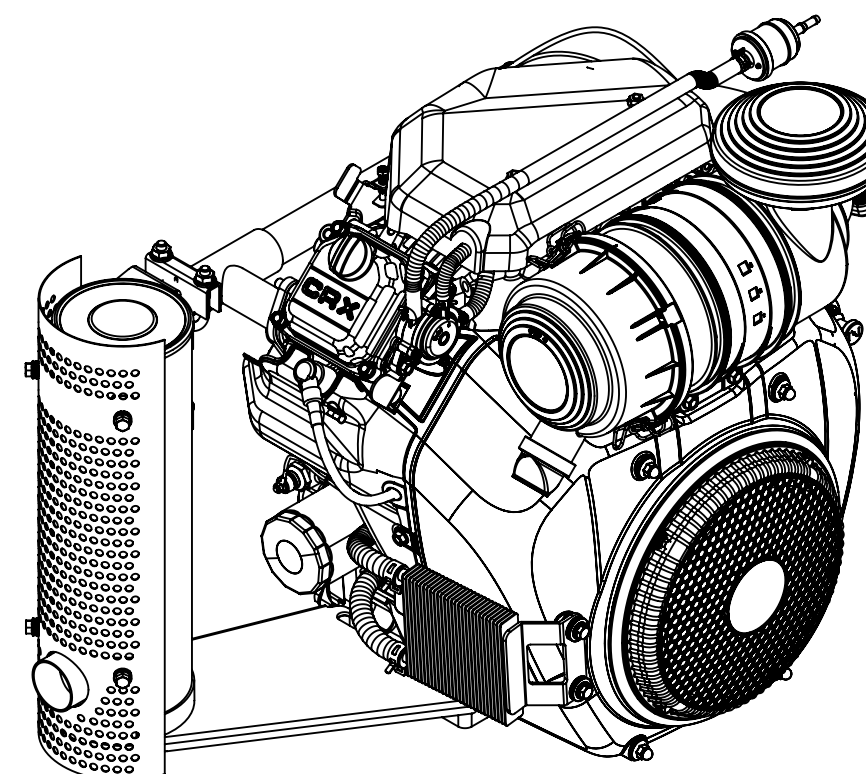
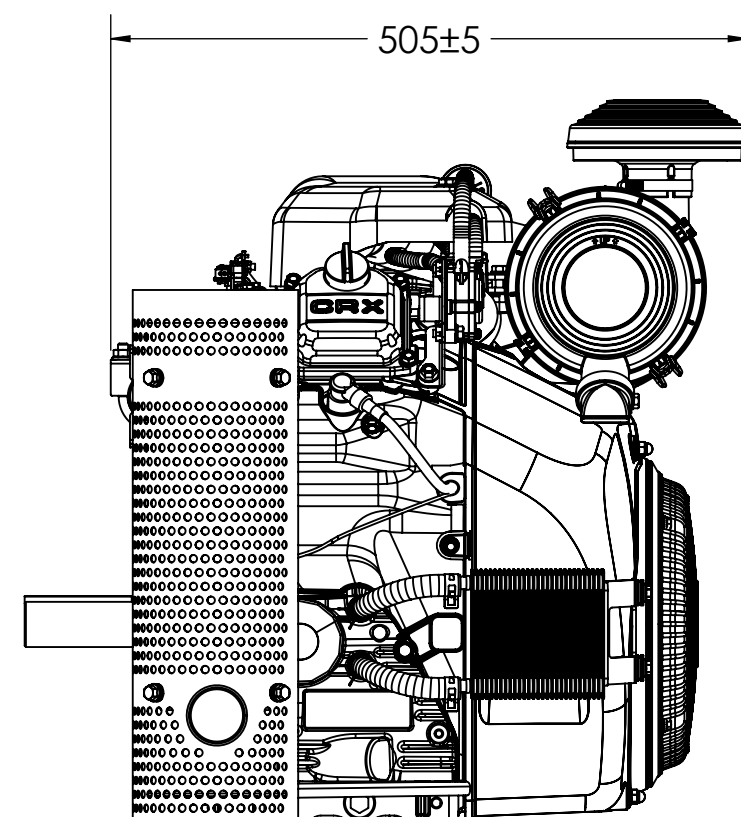
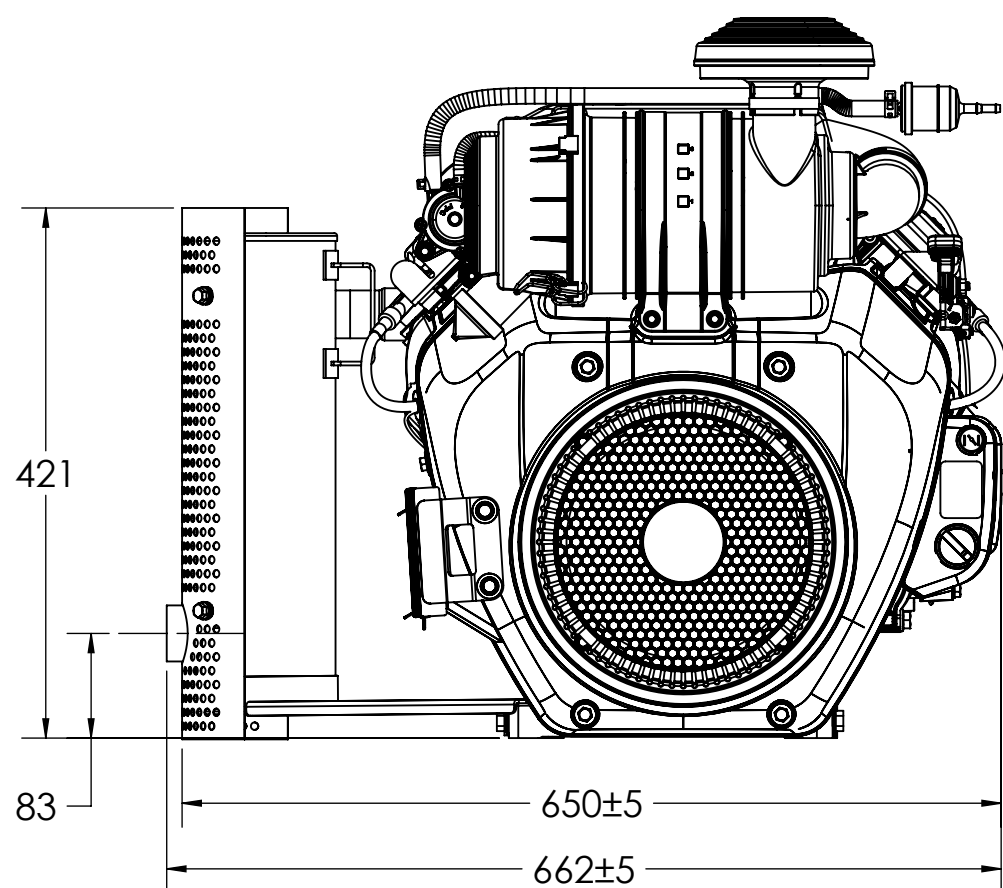
REV:  
**A**  
1 OF 2



**LOW MOUNT**  
(STARTER SIDE OUTLET SHOWN)



**HIGH MOUNT**  
(STARTER SIDE OUTLET SHOWN)



**SIDE MOUNT**